

Elite Bathtub



Features

- Spacious bathing area with molded lumbar support and arm rests for bathing comfort
- Easy installation for both new construction and remodel projects
- Flange screws direct to studs, no T-brace, predrilling or clips required
- Covered with protective film to protect finish during installation
- Reinforced integral apron with supports
- Robotically sprayed fiberglass resin, composite materials and 3" diameter feet for structural strength
- 5-Year Consumer, 2-Year Commercial Limited Warranty
- Meets CSA and ANSI standards

Color Options* (color code replaces "xx" in SKU)

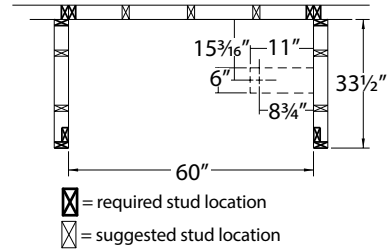
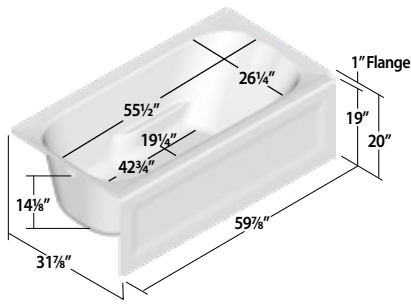
 01 - White  09 - Biscuit

Dimensions	Part #	Model #	Shipping Weight
54" x 30" x 19" AFR Left - White	0378065	BETL01543019L	64 lbs
54" x 30" x 19" AFR Left - Biscuit	0378067	BETL09543019L	64 lbs
54" x 30" x 19" AFR Right - White	0378066	BETL01543019R	64 lbs
54" x 30" x 19" AFR Right - Biscuit	0378068	BETL09543019R	64 lbs
54" x 30" x 19" AFR Center - White	0378126	BETL01543019C	64 lbs
54" x 30" x 19" AFR Center - Biscuit	0378127	BETL09543019C	64 lbs
60" x 30" x 16" SFR Left - White	0378059	BET01603016L	71 lbs
60" x 30" x 16" SFR Left - Biscuit	0378061	BET09603016L	71 lbs
60" x 30" x 16" SFR Right - White	0378060	BET01603016R	71 lbs
60" x 30" x 16" SFR Right - Biscuit	0378062	BET09603016R	71 lbs
60" x 32" x 19" SFR Left - White	0378143	BET01603219L	81 lbs
60" x 32" x 19" SFR Left - Biscuit	0378146	BET09603219L	81 lbs
60" x 32" x 19" SFR Right - White	0378142	BET01603219R	81 lbs
60" x 32" x 19" SFR Right - Biscuit	0378145	BET09603219R	81 lbs

*Color shown may vary slightly from the actual product due to variations in the printing process of this document.

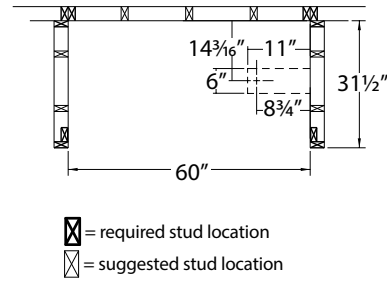
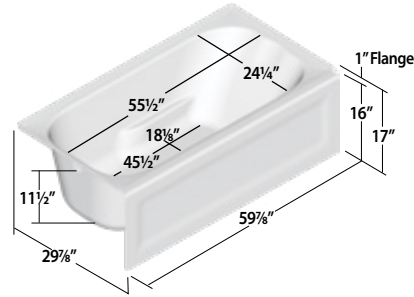
Plumbing accessories not included.

60" x 32" x 19"
(60 gallons*)



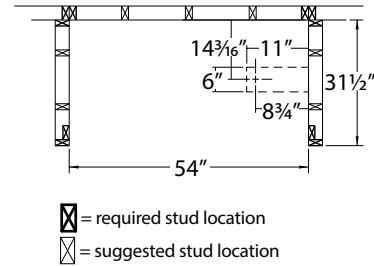
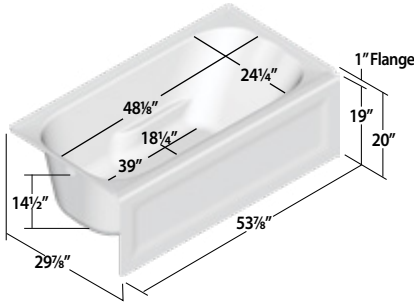
RH installation shown - reverse for LH installation.

60" x 30" x 16"
(45 gallons*)



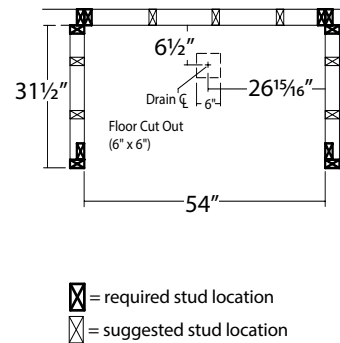
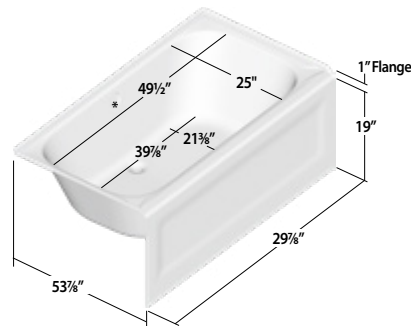
RH installation shown - reverse for LH installation.

54" x 30" x 19"
(39 gallons*)



RH installation shown - reverse for LH installation.

54" x 30" x 19"



*Overflow to bottom of drain is 11 1/4"

Contact Us

Lyons Industries, Inc.
30000 M-62 West
Dowagiac, MI 49047

(800) 458-9036

(269) 782-5159

lyonsind@lyonsindustries.com

www.lyonsindustries.com

Design and features may change without notice.

Complies with ANSI Z124.1 and CAN/CSA-B45

CAN/ULC S102.2 Flame-75 & Smoke Developed-485 code.

Complies with ASME:A112.19.7 and CAN/CSA-B45.10

All product subject to manufacturing tolerance of [+] or [-] 1/8".

Printed in U.S.A.

02-23